

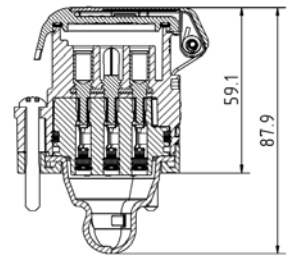
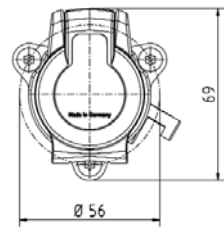
Connectors | 12 V | Plastimat Perfect

Compatible with all mounting plates

NEW !

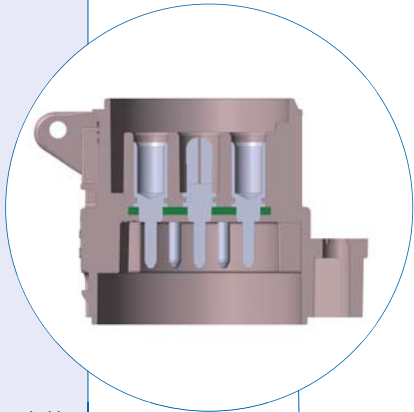


Art.-No.	Description
	<p>USC p 7 socket: Perfect (7-pin socket ISO 1724)</p> <ul style="list-style-type: none"> · Load capacity: 20 A at 12 V · Seal in Cover · Material: Plastic PA612 GF30 <p>Advantages:</p> <ul style="list-style-type: none"> · watertight on both sides · Injected Contacts (Miralloy surface coating) · Housing with cover simple to exchange · Compatible with all mounting plates 13- or 7-pin · Cable exit can be put in 3 positions in 120°-offset · Available with crimping tools
783 200 320	Complete kit with socket, contacts, contact holder, cable guide and EPDM grommet 90°
783 200 310	Complete kit with socket, contacts, contact holder, cable guide and EPDM axial grommet



Accessories for Plastimat Perfect USC p 7

783 200 110	Housing with cover
783 200 910	Contact holder
783 200 920	EPDM grommet 90°
783 200 930	EPDM grommet axial
781 910 910	Cable guide 90°
781 910 920	Retainer
781 200 820	Contact Sleeve 1-2,5 mm ²
781 200 810	Contact Sleeve 0,35-1 mm ²
781 200 840	Single wire seal 1-2,5 mm ²
781 200 830	Single wire seal 0,35-1 mm ²
781 200 850	Cavity plug



Cross section – injected contacts watertight

