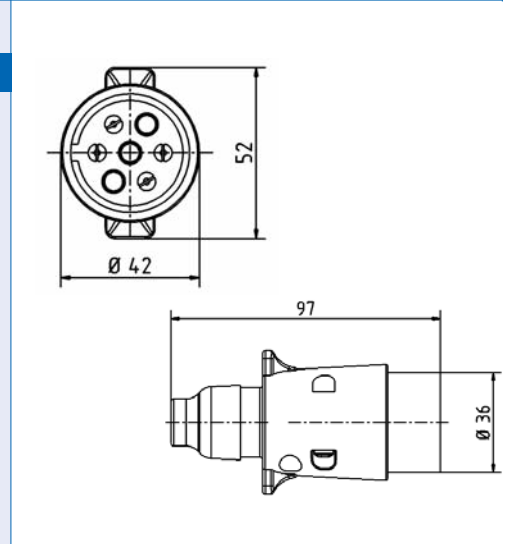


Connectors | 7-pin | 12 V | ISO 1724



Art.-No. Description

782 210 000	<p>7-pin plug ISO 1724</p> <ul style="list-style-type: none"> · Impact resistant plastic · with pull relief · Middle contact (58 L), with contact sleeve · Load capacity: 20 A at 12 V · Screw connection
-------------	---



Art.-No. Description

782 111 000	<p>7-pin plug ISO 1724</p> <ul style="list-style-type: none"> · Metal · With pull relief · Middle contact (58 L), with contact sleeve · Load capacity: 20 A at 12 V · Screw connection
-------------	--

