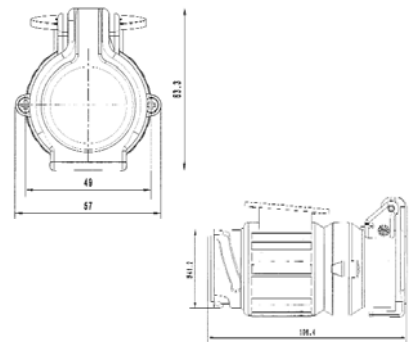


## Adapters for connectors



Art.-No.	Description
780 405 000	<b>Short adapter</b> <ul style="list-style-type: none"> <li>· 13- to 7-pin</li> <li>· Length: 100 mm</li> <li>· Material: PA6 GF30</li> <li>· Seal in cover</li> <li>· Car: 13- pin socket; Trailer: 7-pin plug</li> <li>· ISO 11446 to ISO 1724</li> </ul>

... .. 1	Individual packaging
----------	----------------------



Art.-No.	Description
782 325 000	<b>Mini-Short adapter (WeSt-System)</b> <ul style="list-style-type: none"> <li>· 13- to 13-pin</li> <li>· Length: 50 mm</li> <li>· Material: PA6 GF30</li> <li>· Seal in cover</li> <li>· Car: 13-pin socket; Trailer: 7-pin plug (or <b>WeSt</b> -plug)</li> <li>· ISO 11446 to ISO 1724</li> <li>· watertight/<b>injected</b> contacts</li> </ul>

... .. 1	Individual packaging
----------	----------------------

