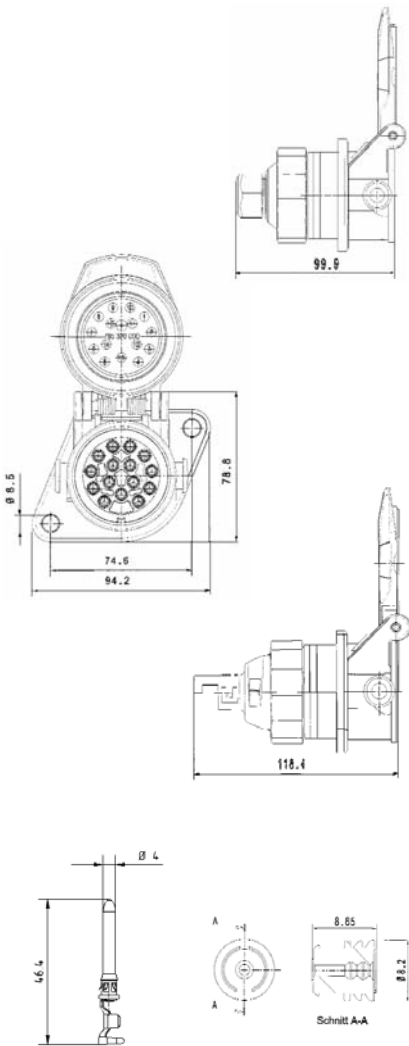




Connectors | 15-pin | 24 V | ISO 12098

NEW !



Art.-No. Description

Socket 15-pin according to ISO 12098
 · Injected seal in housing
 · Controlled GGVS and ADR
 · For cable section 10-14 mm
 · 15 x 1,5 mm²
 · Massive contacts for crimped connection
 · Contact insert with seal
 · OEM-Version
 · Available with hand crimping tool

Version: Cable exit with screw cap nut
 785 320 500 Incl. pin contacts and seals

Version: conduit exit
 785 320 600 Incl. pin contacts and seals, conduit exit axial NW13
 785 320 700 Incl. pin contacts and seals, conduit exit 90° NW13
 785 320 800 Incl. pin contacts and seals, conduit exit axial NW17
 785 320 900 Incl. pin contacts and seals, conduit exit 90° NW17

785 220 300 **Park socket 24 V**

Additional parts
 785 325 000 Socket housing with cover
 785 320 080 Contact insert 15-pin with seal
 785 120 050 Bayonet ring
 785 120 030 Conduit exit axial NW13
 785 120 040 Conduit exit 90° NW13
 785 120 060 Conduit exit axial NW17
 785 120 070 Conduit exit 90° NW17

Accessories
Pin contacts massive with crimp connection 1 - 2,5 mm²
 785 130 911 Individual pin contact
 785 130 910 Reel of 1.200 pcs
 785 110 940 Single wire seal 1-2,5 mm² (2.500 pcs)