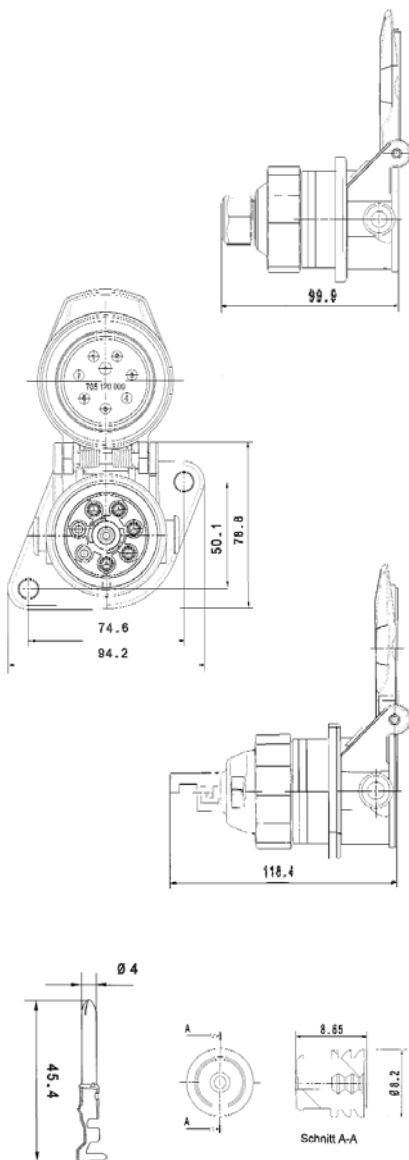




Connectors | ABS 5-pin | 24 V | ISO 7638



Art.-No.	Description
	ABS-Socket 5-pin ISO 7638 <ul style="list-style-type: none"> Pin contact 2-parts with external snap ring Material pin contact: Nickel silver, optimum anticorrosive coating Injected seal in housing Controlled GGVS and ADR For cable section 8-12,5 mm 3 x 1,5 mm² + 2 x 4 mm² Available with hand crimping tool
785 120 100	For cable exit with screw cap nut
785 120 200	Incl. pin contact and seals
	Without pin contact and seals
785 120 300	With conduit exit NW 13, 180°
785 120 310	Incl. pin contact and seals
	Without pin contact and seals
785 220 300	Park socket 24 V
	Accessories
	Pin contact 1 - 2,5 mm² (2-parts)
785 120 911	Individual pin contact
785 120 910	Reel of 1.200 pcs
785 110 940	Single wire seal 1-2,5 mm ² (2.500 pcs)
	Pin contact 4 mm² (2-parts)
785 120 921	Individual pin contact
785 120 920	Reel of 1.200 pcs
785 110 950	Single wire seal 4 mm ² (2.500 pcs)