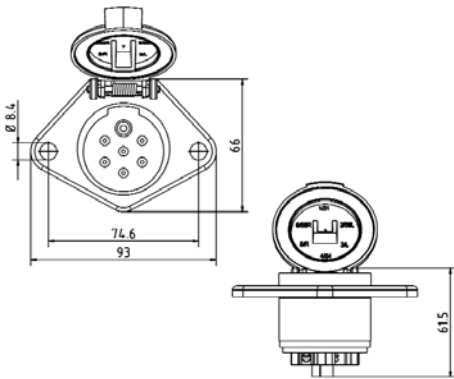




Connectors | 7-pin

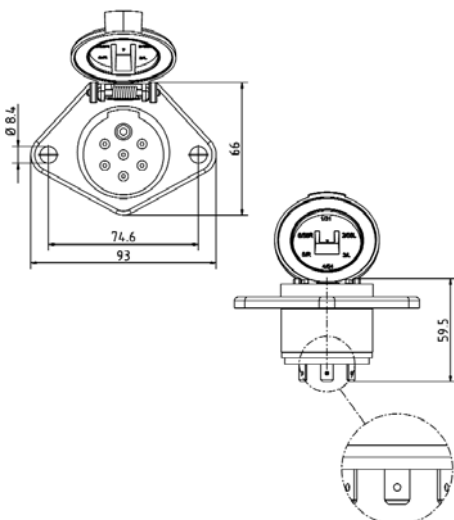
24 V | ISO 1185 und 3731



Art.-No.	Description
	7-pin socket
	<ul style="list-style-type: none"> · Metal · Seal in cover · Incl. grommet · Rating: 20 A at 24 V
785 124 000	ISO 1185, Type N (screw connection)
785 124 100	ISO 3731, Type S (screw connection)
785 124 500	ISO 1185, Type N (flat terminal: 6,3mm)
785 124 600	ISO 3731, Type S (flat terminal: 6,3mm)



Art.-No.	Description
	7-pin socket, 24 V
	<ul style="list-style-type: none"> · Plastic · Injected contacts · Flat terminals 6,3mm · Rubber ring in cover · Rating: 20 A at 24 V · Incl. Grommet
785 624 000	ISO 1185, Type N
785 624 100	ISO 3731, Type S
785 724 000	Park socket ISO 1185 / 3731
... .. 1	Individual packaging



Accessories	
785 624 900	Grommet