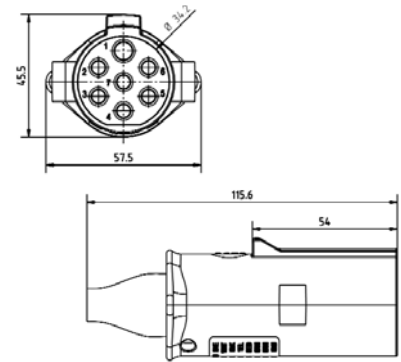


## Connectors | 7-pin

### 24 V | ISO 1185 und 3731



Art.-No.	Description
785 114 000	<b>Plug, 7-pin ISO 1185, Type N</b> <ul style="list-style-type: none"><li>· Metal</li><li>· Rating: 20 A at 24 V</li><li>· Screw connection</li></ul>
... .. 1	<b>Individual packaging</b>



Art.-No.	Description
785 114 100	<b>Plug, 7-pin ISO 3731, Type S</b> <ul style="list-style-type: none"><li>· Metal</li><li>· Rating: 20 A at 24 V</li><li>· Screw connection</li></ul>

... .. 1	<b>Individual packaging</b>
----------	-----------------------------

