



# Plastimat **Perfect** – The new generation

**NEW !**

## Quality and Innovation

Plastimat has for many decades been the leading and innovative manufacturer of connectors for tow bars and guarantees the highest quality in this market segment.

The ever increasing electronic components and the increasing digitalization in the automotive sector require a high level of innovation within the company that we constantly promote.

In developing the new generation of sockets we focused on our corporate philosophy: „Maximum reliability in service“.

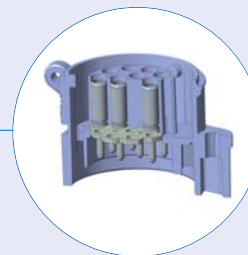
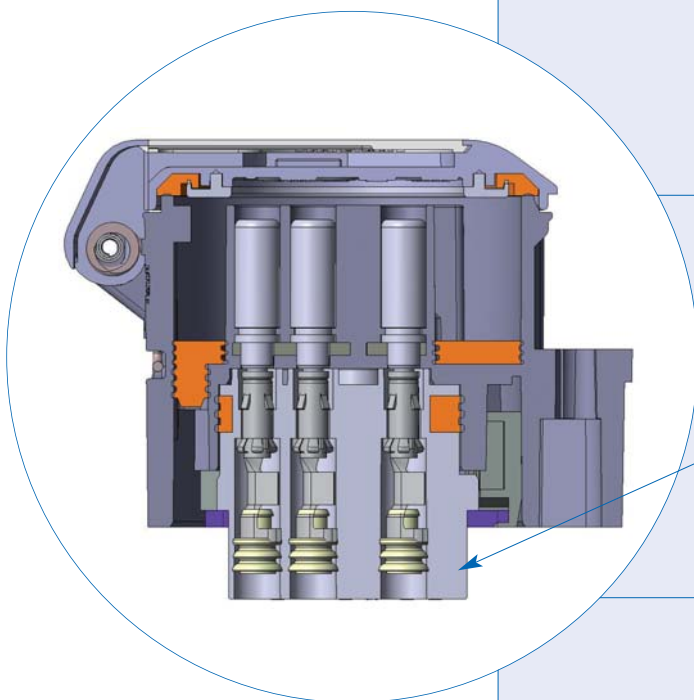
The previous generation of sockets is already protected by very high quality and is very good against corrosion and humidity. However, after partial damage or dismantling of cover or grommet the socket is not always replaced or repaired. This can lead to water ingress along the wire to the harness.

Plastimat **Perfect** is built on a smaller design and developed from the pivoting tow bars, the sockets Plastimat has been manufacturing since 1997. The mounting holes comply with the standards.

**Injected contacts and an additional contact insert ensure that no water can get into the socket. The front section of the socket is fully interchangeable. In the case of a damaged cover or damage in front of the socket the housing can easily be replaced.**

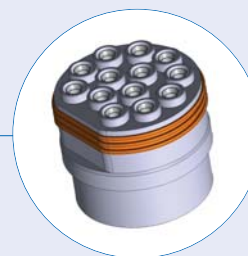
Plastimat also develops cable kits according to customer's request.  
Development – Mounting instruction – Manufacture by Plastimat.

See illustrations:



Replaceable front section of the socket with **injected** contacts (watertight)

Cross section of contact insert

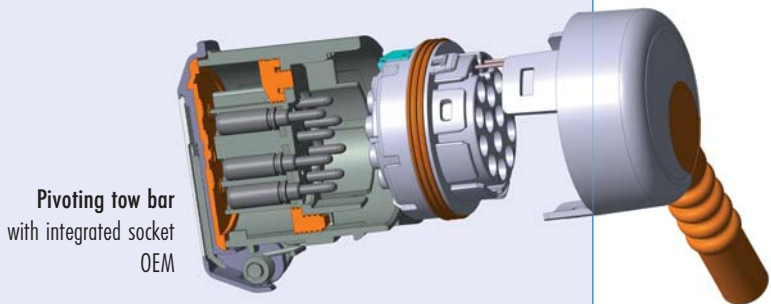


Contact insert

for all 7- and 13-pin systems

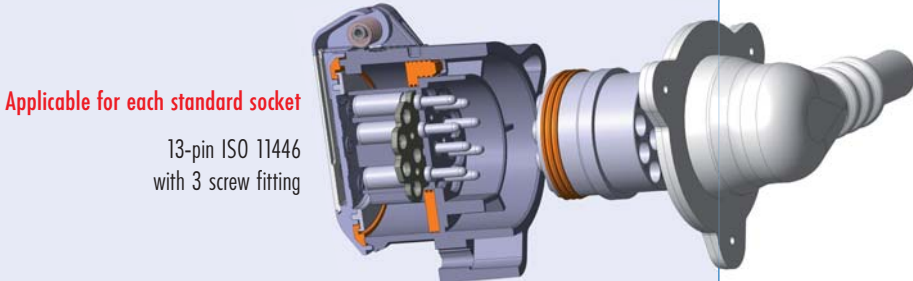
**NEW !**

USC pi 13: Perfect, integrated (13-pin socket ISO 11446) **The 3 systems**



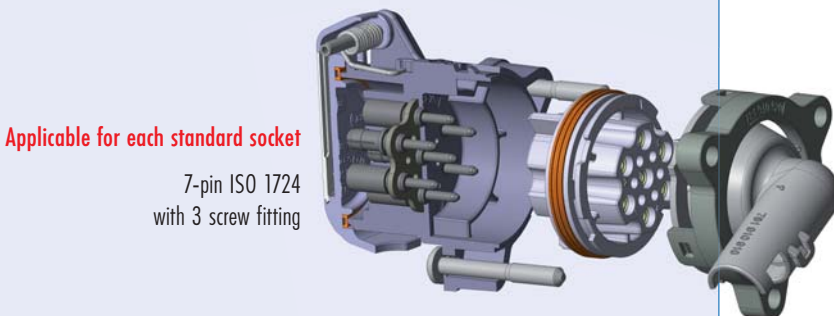
Pivoting tow bar  
with integrated socket  
OEM

USC p 13: Perfect (13-pin socket ISO 11446)



Applicable for each standard socket  
13-pin ISO 11446  
with 3 screw fitting

USC p 7: Perfect (7-pin socket ISO 1724)

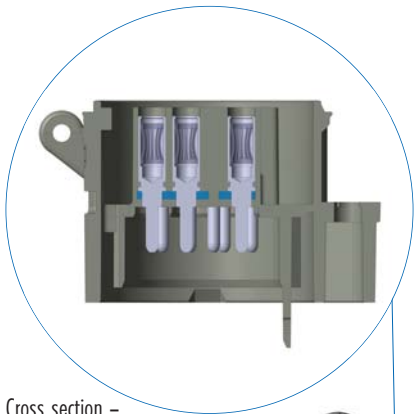
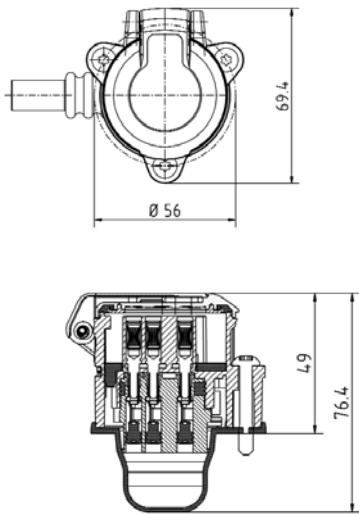


Applicable for each standard socket  
7-pin ISO 1724  
with 3 screw fitting

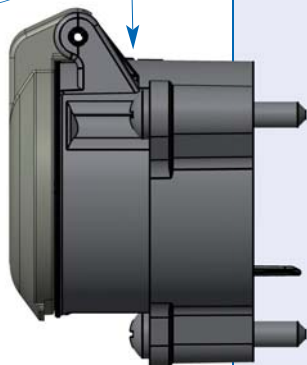


**Connectors | 12 V | Plastimat Perfect**  
**Compatible with all mounting plates**

**NEW !**



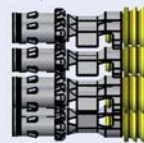
Cross section –  
 injected contacts  
 watertight



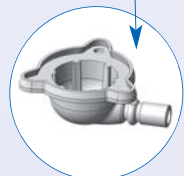
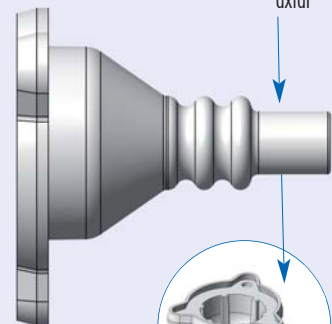
Contact holder



Contacts with  
 single wire seals



EPDM  
 cable exit  
 axial



or lateral cable exit

Art.-No.	Description
	<b>USC p 13 socket: Perfect ISO 11446</b>
	<ul style="list-style-type: none"> <li>• Load capacity: 20 A at 12 V</li> <li>• Seal in Cover</li> <li>• Material: Plastic PA612 GF30</li> </ul>
	<b>Advantages:</b>
	<ul style="list-style-type: none"> <li>• watertight on both sides</li> <li>• <b>Injected</b> Contacts (Miralloy surface coating)</li> <li>• Housing with cover simple to exchange</li> <li>• Compatible with all mounting plates 13- or 7-pin</li> <li>• Cable exit can be put in 3 positions in 120°-offset</li> <li>• Available with crimping tools</li> </ul>
781 300 320	Complete kit with socket, contacts, contact holder, cable guide and EPDM grommet 90°
781 300 310	Complete kit with socket, contacts, contact holder, cable guide and EPDM axial grommet

Accessories for Plastimat Perfect USC p 13	
781 300 100	Housing with cover
781 300 900	Contact holder
781 300 930	EPDM grommet 90°
781 200 940	EPDM grommet axial
781 200 820	Contact sleeve 1-2,5 mm <sup>2</sup>
781 200 810	Contact sleeve 0,35-1 mm <sup>2</sup>
781 200 840	Single wire seal 1-2,5 mm <sup>2</sup>
781 200 830	Single wire seal 0,35-1 mm <sup>2</sup>
781 200 850	Cavity plug

# Connectors | 12 V | Plastimat Perfect

Compatible with all mounting plates

**NEW !**



Art.-No.	Description
----------	-------------

**USC p 7 socket: Perfect (7-pin socket ISO 1724)**

- Load capacity: 20 A at 12 V
- Seal in Cover
- Material: Plastic PA612 GF30

**Advantages:**

- watertight on both sides
- **Injected** Contacts (Miralloy surface coating)
- Housing with cover simple to exchange
- Compatible with all mounting plates 13- or 7-pin
- Cable exit can be put in 3 positions in 120°-offset
- Available with crimping tools

783 200 320

Complete kit with socket, contacts, contact holder, cable guide and EPDM grommet 90°

783 200 310

Complete kit with socket, contacts, contact holder, cable guide and EPDM axial grommet

**Accessories for Plastimat Perfect USC p 7**

783 200 110

Housing with cover

783 200 910

Contact holder

783 200 920

EPDM grommet 90°

783 200 930

EPDM grommet axial

781 910 910

Cable guide 90°

781 910 920

Retainer

781 200 820

Contact Sleeve 1-2,5 mm<sup>2</sup>

781 200 810

Contact Sleeve 0,35-1 mm<sup>2</sup>

781 200 840

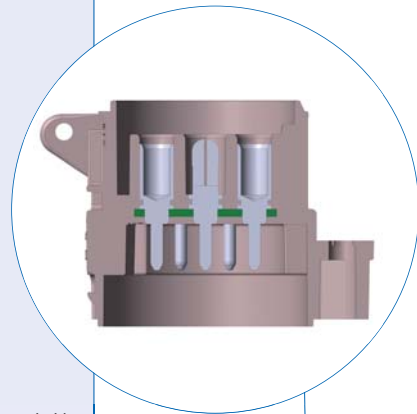
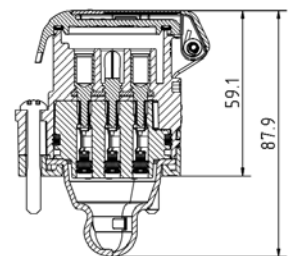
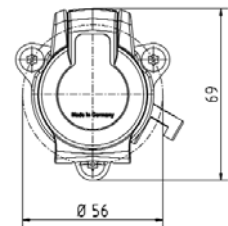
Single wire seal 1-2,5 mm<sup>2</sup>

781 200 830

Single wire seal 0,35-1 mm<sup>2</sup>

781 200 850

Cavity plug



Cross section – injected contacts watertight

